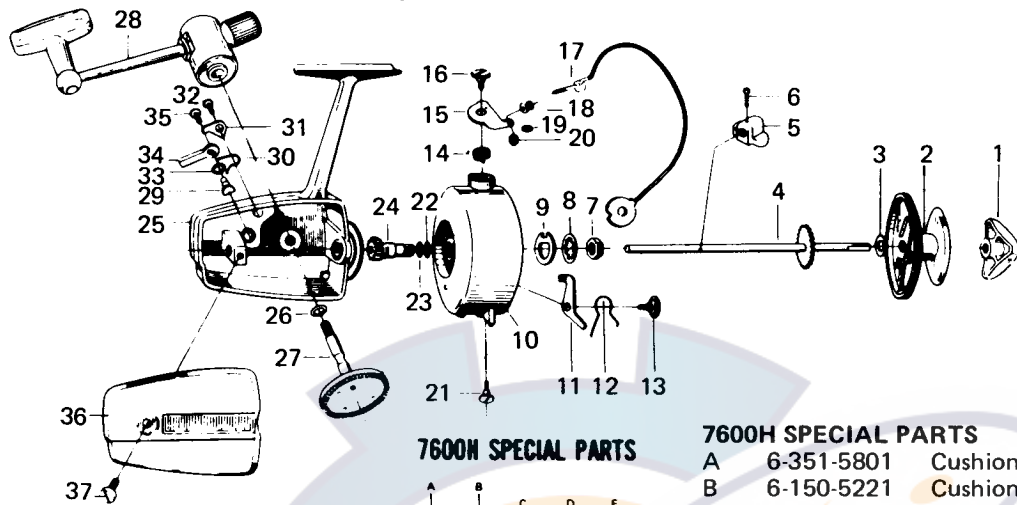
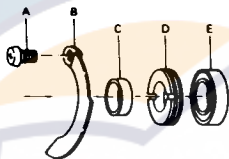


SPINNING REEL **7600**
7600H



7600H SPECIAL PARTS



7600H SPECIAL PARTS

A	6-351-5801	Cushion spring retaining screw	\$.10
B	6-150-5221	Cushion spring	.40
C	6-500-2131	Pinion collar	.25
D	6-340-7721	Ball bearing retaining nut	.25
E	6-631-0041	Ball bearing	4.30

LINE CAPACITY: 250 YDS., 15 LB. TEST (230m. 6.8kg)

Key No.	Parts No.	Parts Name	Price Per Piece
1	6-005-1802	Drag knob	\$1.35
2	6-000-4351	Spool assembly	4.60
3	6-371-2731	Spool washer	.10
4	6-004-3331	Main shaft	1.00
5	6-480-3231	Oscillating slider	.40
6	6-490-2421	Oscillating slider pin	.10
7	6-340-5842	Rotor nut	.25
8	6-160-1611	Rotor washer	.10
9	6-371-3111	Rotor retaining washer	.20
10	6-005-4451	Rotor	3.40
11	6-570-2741	Bail kick lever	.35
12	6-140-5031	Bail kick lever spring	.10
13	6-361-1511	Bail kick lever screw	.25
14	6-141-2801	Bail spring	.10
15	6-230-1651	Arm lever	.45
16	6-361-6411	Arm lever screw	.60
17	6-002-9221	Bail	2.70
18	6-250-1011	Line roller	.40
19	6-160-0121	Bail washer	.10
20	6-340-2011	Bail nut	.50
21	6-361-6501	Bail holder screw	.50
22	6-371-3801	Pinion adjusting washer	.10
23	6-371-2823	Pinion washer	.10
24	6-400-5521	Pinion	1.40
25	6-005-3323	Body	3.75

Key No.	Parts No.	Parts Name	Price Per Piece
26	6-370-0352	Drive gear washer	\$.10
27	6-411-4411	Drive gear	2.05
28	6-000-2031	Handle	3.75
29	6-460-1851	Anti-reverse cam	.20
30	6-140-9031	Anti-reverse claw spring	.10
31	6-110-1711	Anti-reverse claw	.10
32	6-351-2561	Anti-reverse claw screw	.15
33	6-150-1751	Anti-reverse lever washer	.10
34	6-540-1911	Anti-reverse lever	.40
35	6-350-1931	Anti-reverse lever screw	.10
36	6-705-6203	Body cover	1.85
37	6-360-6911	Body cover screw	.10

For 7600H only

15	6-230-3911	Arm lever	.45
17	6-002-9431	Bail	2.70
18	6-250-1901	Line roller	.30
20	6-340-8201	Bail nut	.50
24	6-400-6971	Pinion	1.40
25	6-190-8932	Body	6.10
27	6-411-4531	Drive gear	2.05
28	6-000-2032	Handle	3.75
32	6-110-3301	Anti-reverse claw	.20
37	6-705-6204	Body cover	1.35